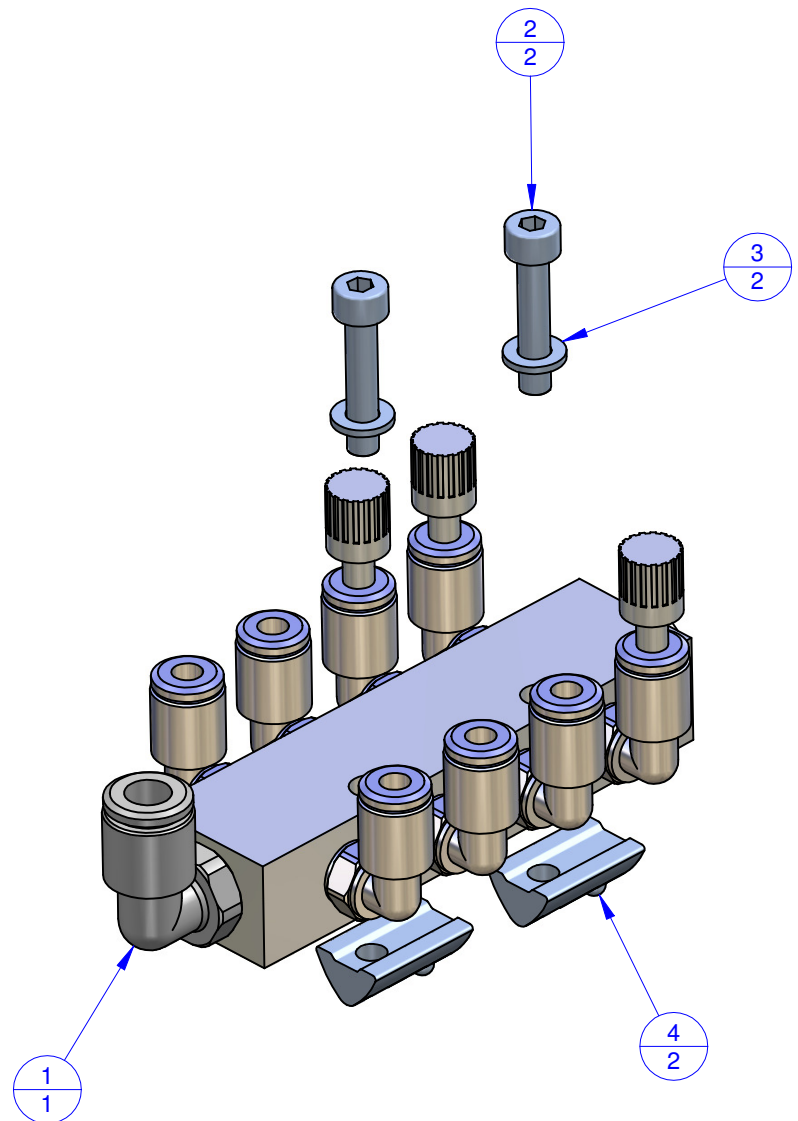


THE PROPERTY OF THIS DRAWING IS ESTABLISHED BY LAW  
IT IS FORBIDDEN TO REPRODUCE IT OR SHOW IT TO THIRD PARTY  
WITHOUT A WRITTEN AGREEMENT.

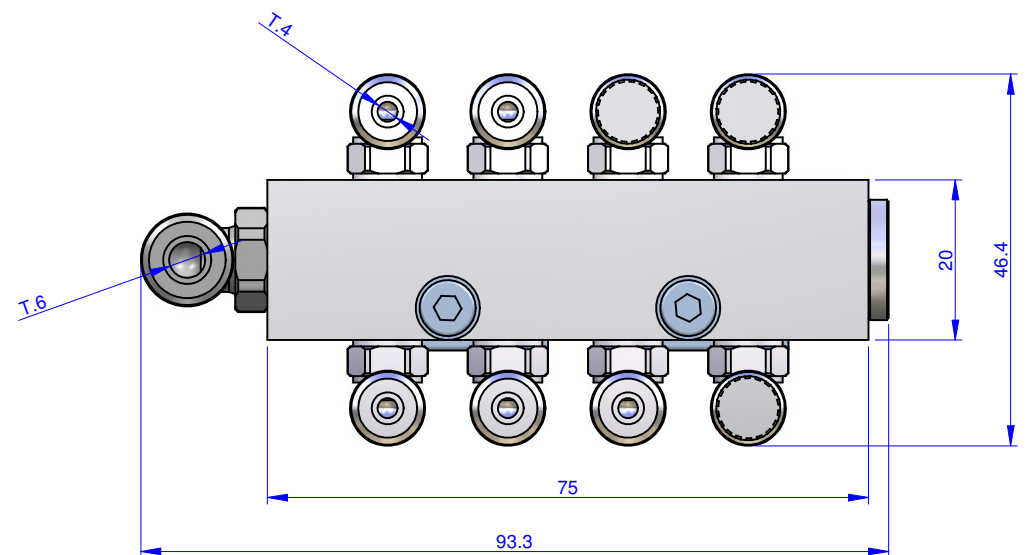
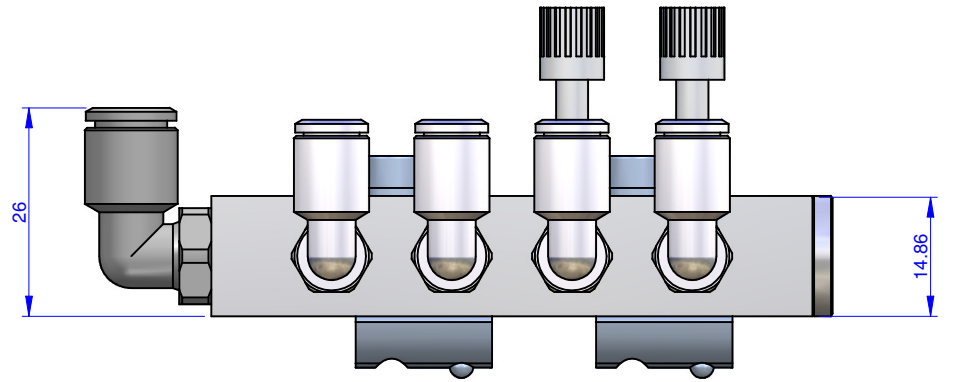
MODIFICATIONS: \_\_\_\_\_  
 (7) \_\_\_\_\_ (10) \_\_\_\_\_  
 (8) \_\_\_\_\_ (11) \_\_\_\_\_  
 (9) \_\_\_\_\_ (12) \_\_\_\_\_

MODIFICATIONS: \_\_\_\_\_  
 (1) \_\_\_\_\_ (4) \_\_\_\_\_  
 (2) \_\_\_\_\_ (5) \_\_\_\_\_  
 (3) \_\_\_\_\_ (6) \_\_\_\_\_

Format **A3**  
 UNI 936-76



Object Number	Name	QTY
1	KIT.13.02.003	1
2	V.TCEI 4X20	2
3	R.4	2
4	CA.02.05.004	2



<b>FP Services</b>		DESIGNED FROM FPSERVICES	
GENERAL TOLERANCE: UNI - ISO 2768 CLASSE f		DATE 04/2014	WEIGHT 0,103 kg
DESCRIPTION		CODE <b>KIT.13.02.003.6</b>	

